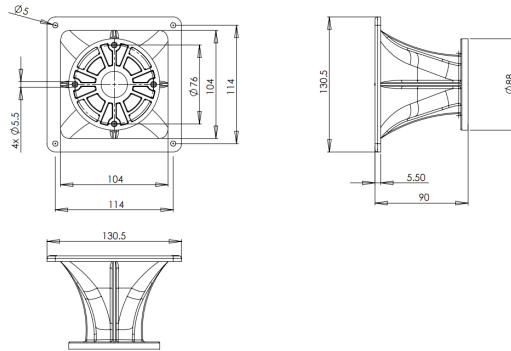


ME10

0Ω

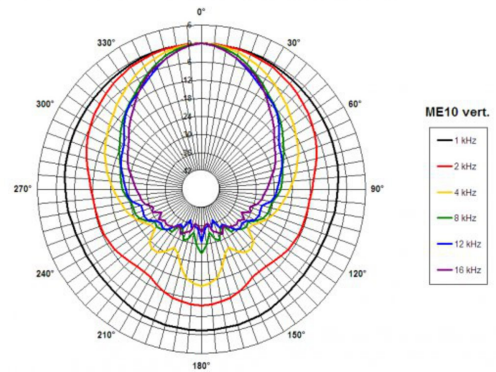
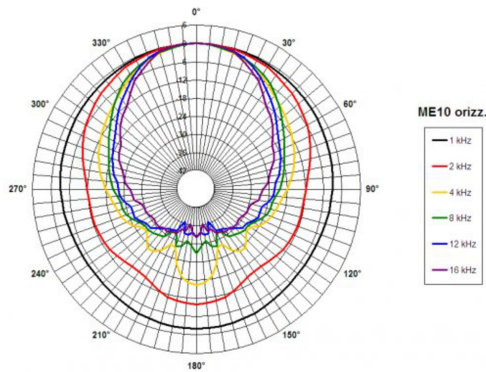
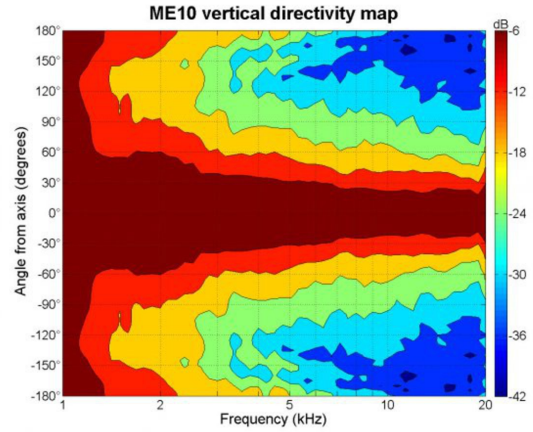
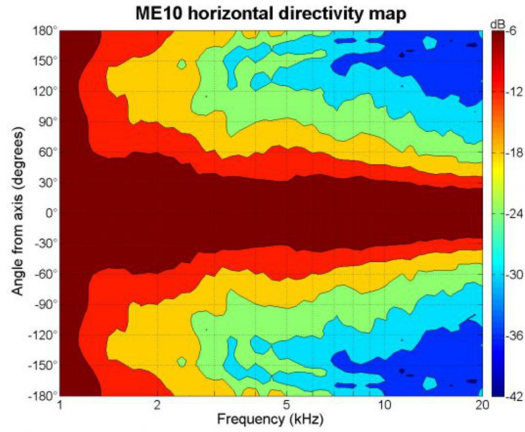
Horns - 1.0 Inches

- 1" throat entry
- 90° x 60° nominal coverage
- Hyperbolic cosine flare
- Excellent loading down to 1.5 kHz



ME10

Horns- 1.0 Inches



SPECIFICATIONS¹

Throat Diameter	25 mm (1.0 in)
Nominal Coverage Horizontal	90 °
Nominal Coverage Vertical	60 °
Cutoff Frequency	1.5 kHz
Material	ABS
Dimensions	130.5x130.5x90 mm (5.1x5.1x3.5 in)

MOUNTING AND SHIPPING INFO

Baffle Cutout Dimension	104x104 mm (4.1x4.1 in)
Air Volume Occupied by Horn	0.15 dm ³ (0.01 ft ³)
Net Weight	0.15 kg (0.33 lb)
Shipping Units	20
Shipping Weight	6.0 kg (13.2 lb)
Shipping Box	540x350x390 mm (21.2x13.8x15.3 in)
Other Details	4x 5.5 mm (0.22 in) holes 90° on 76 mm (3 in) diameter

1. Horn mounted on B&C DE 10 compression driver.